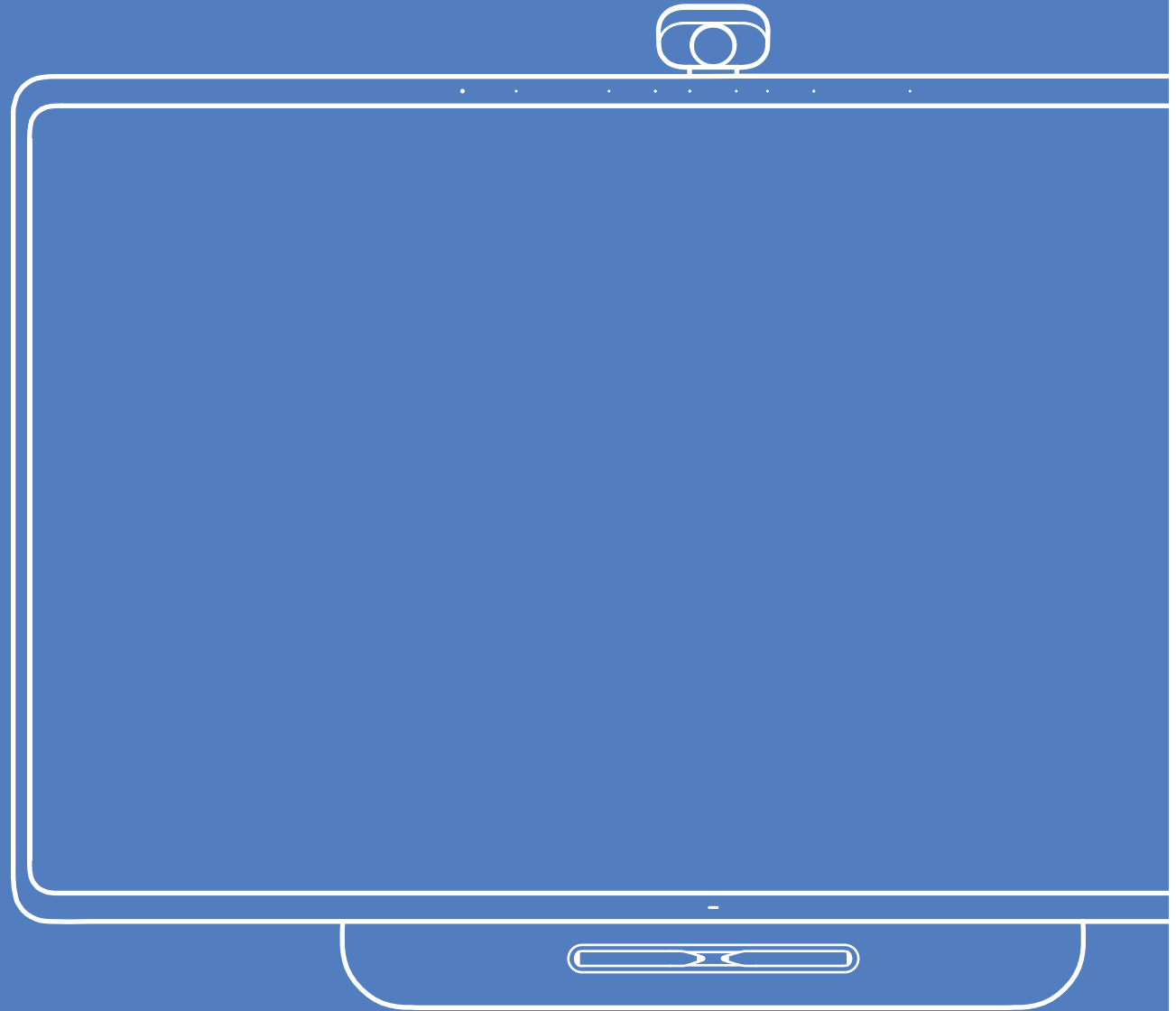
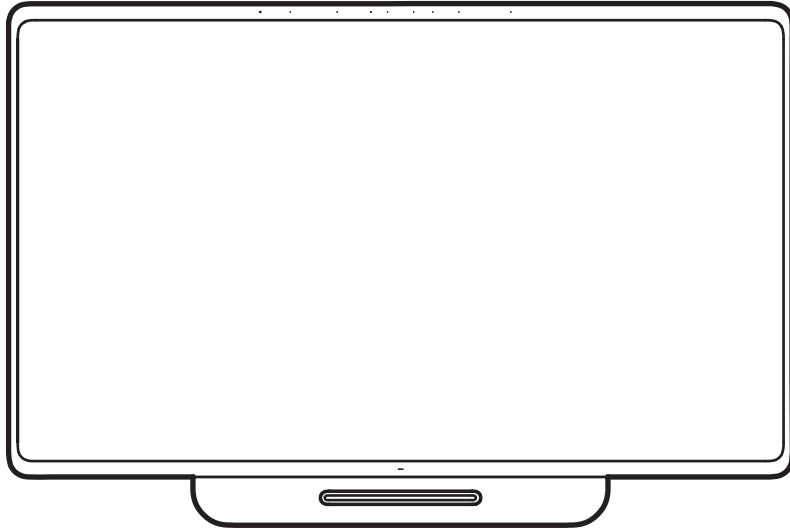
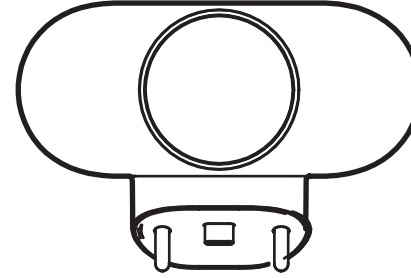


Let's Get Started





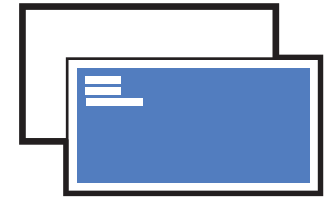
1x



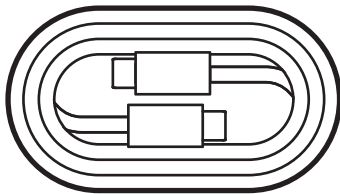
1x



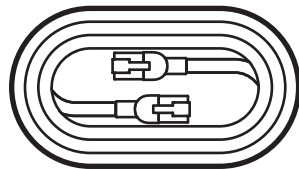
2x



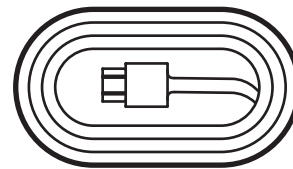
1x



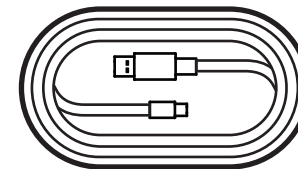
1x
HDMI



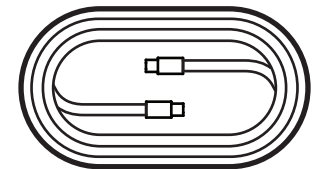
1x
RJ45



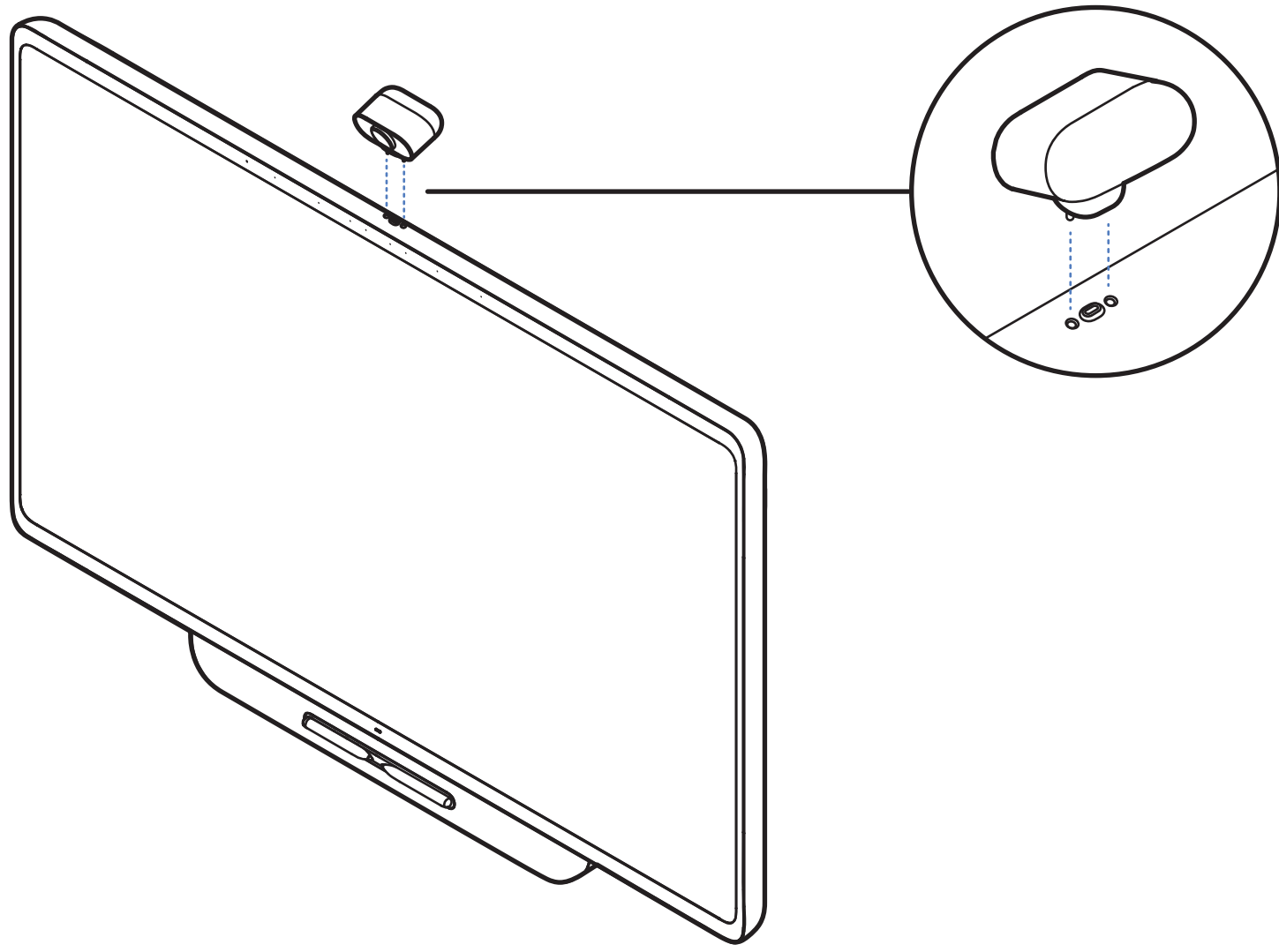
1x
100V-240V

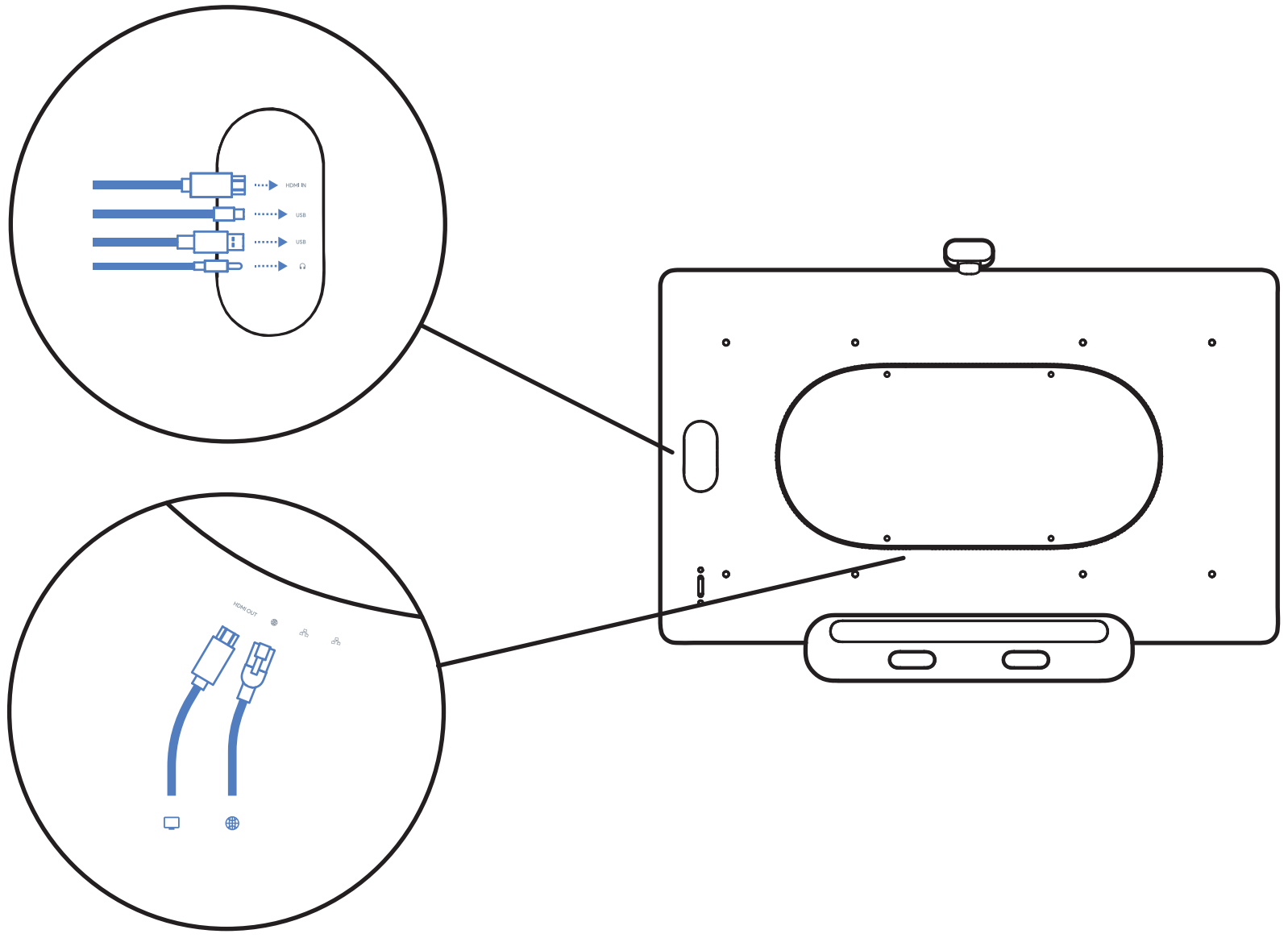


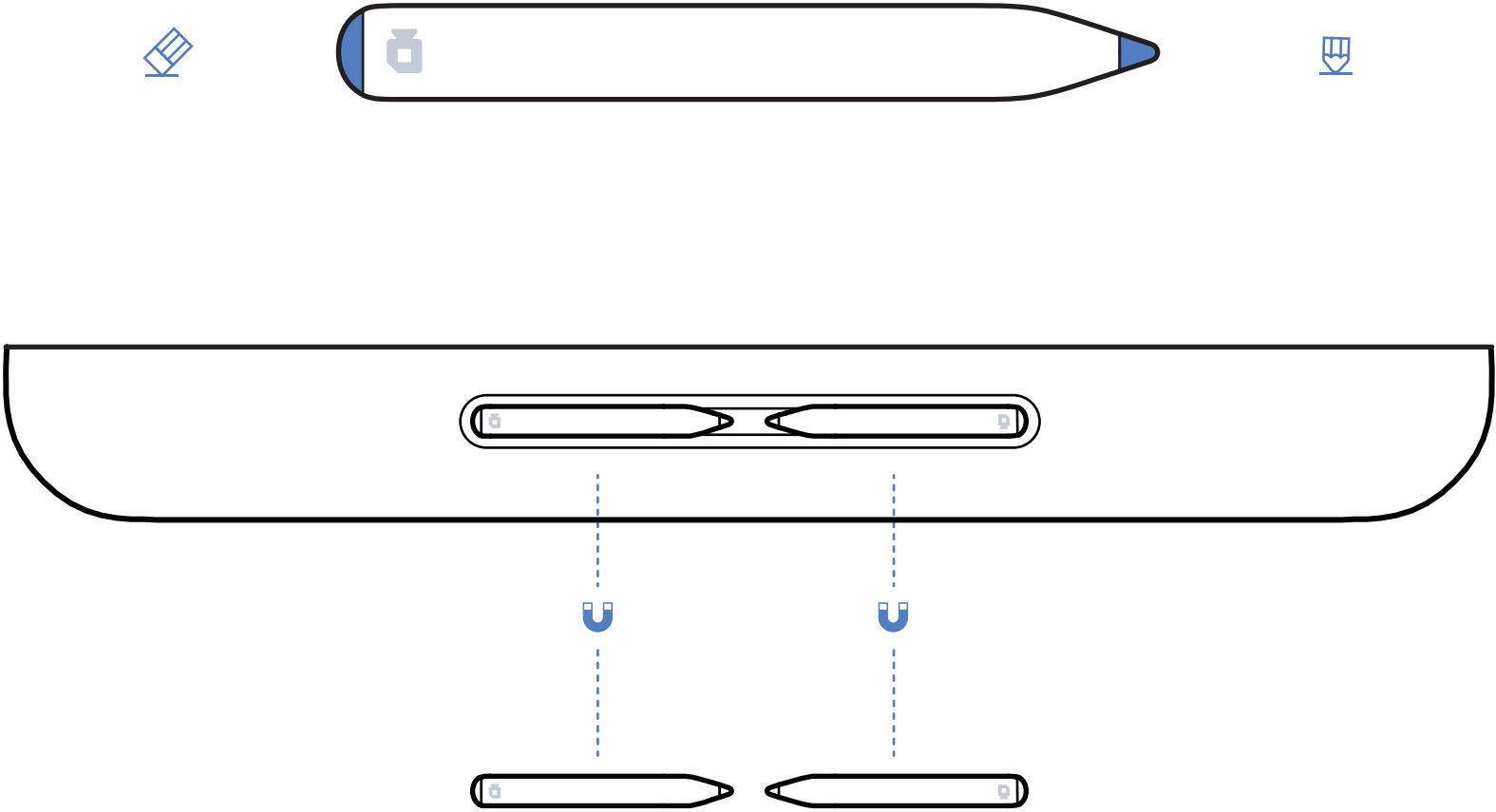
1x
USB A - USB C

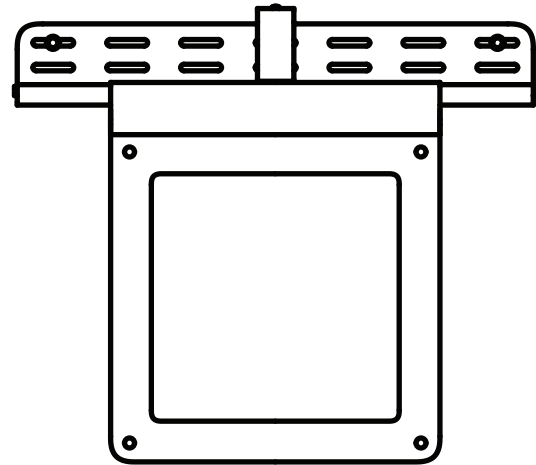
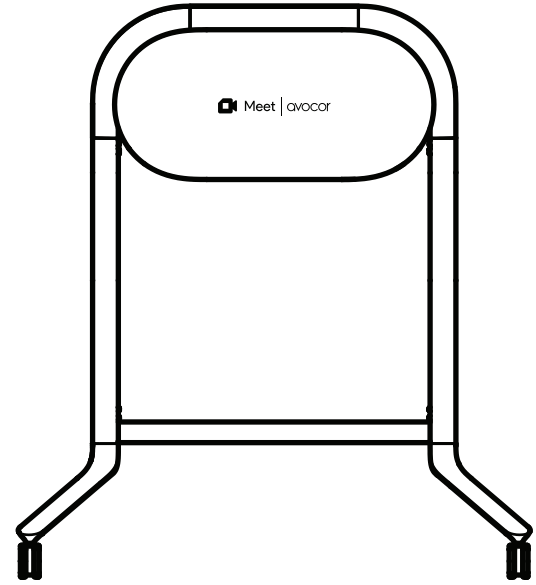
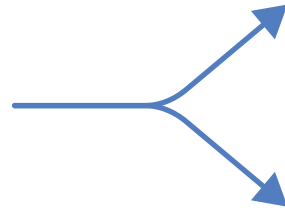
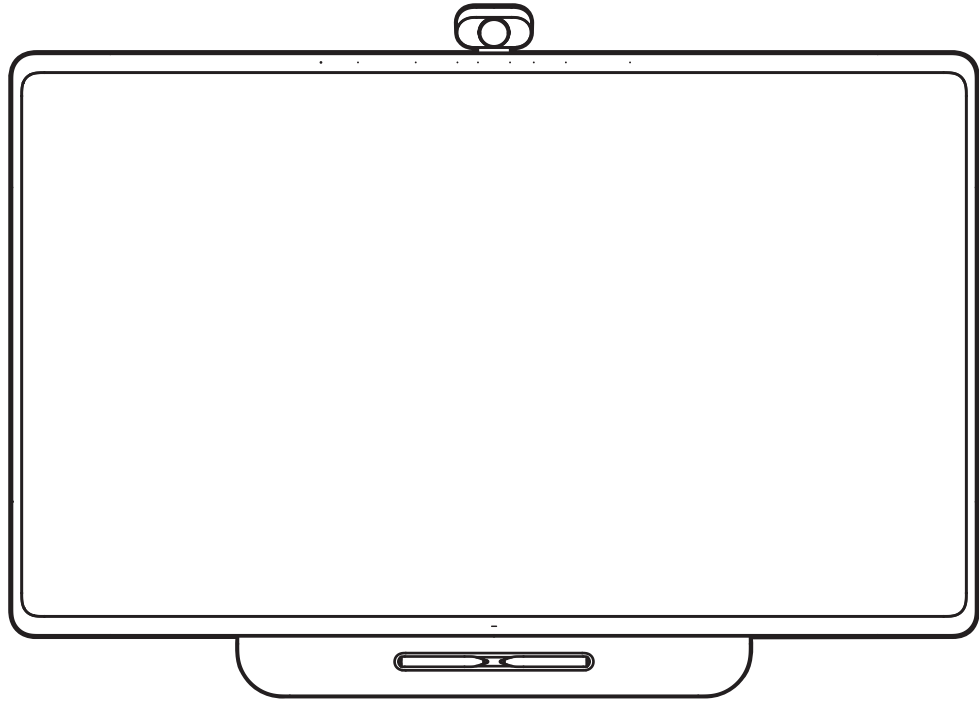


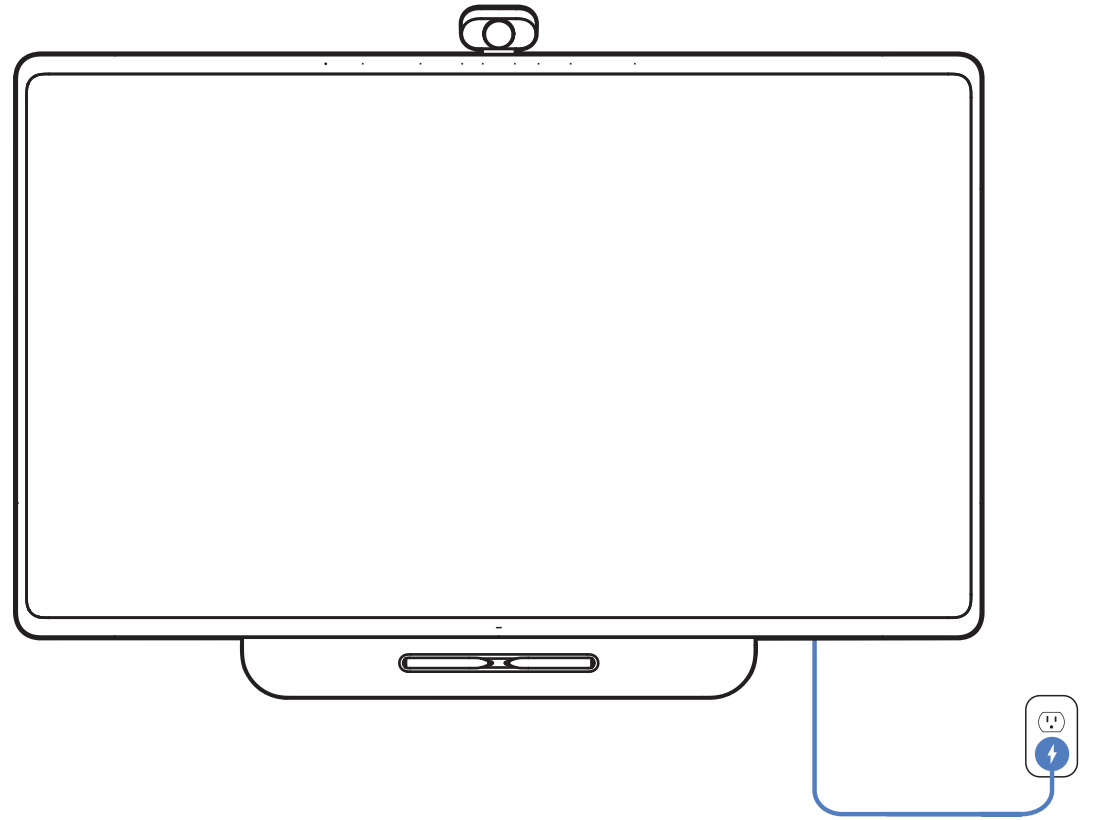
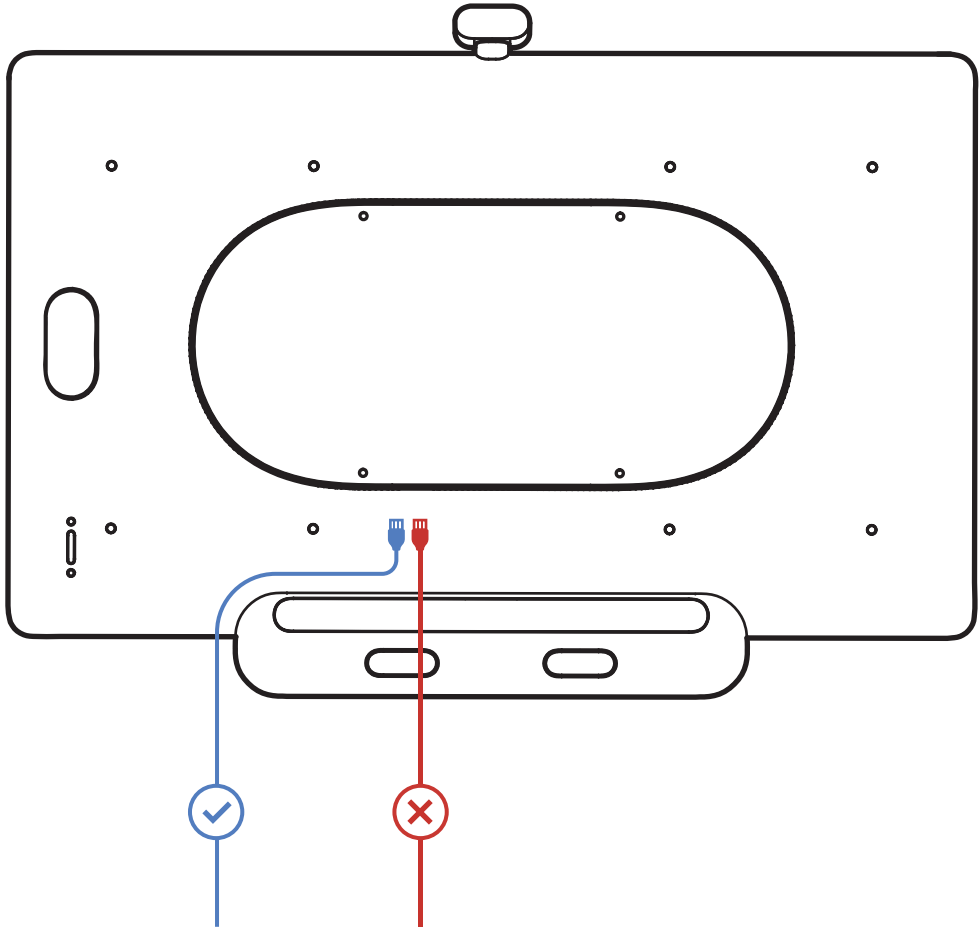
1x
USB C - USB C

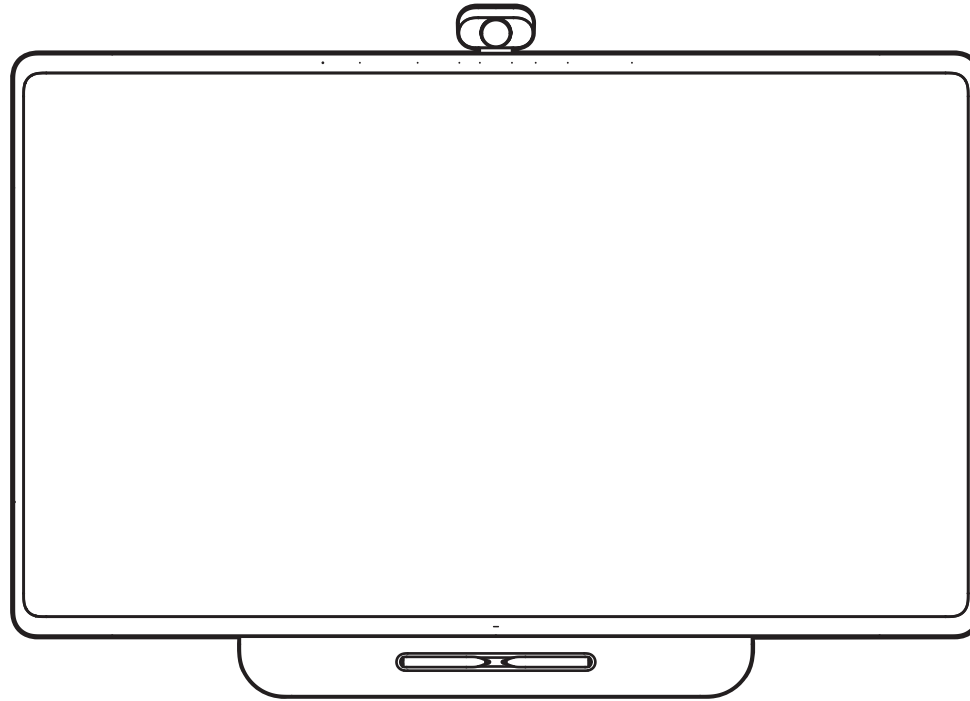












hardware.meet/start