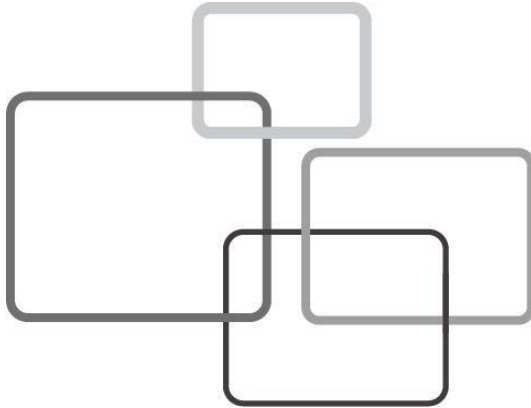


avocor

User Manual

OPS PC Module



Contents

- 1. Statements 1
- 2. Safety Instructions 2
- 3. Installation Procedure..... 5
- 4. Terminal Interface..... 7
- 5. Connection and Setting..... 9

Thanks for supporting our products. Before operating your Avocor 12 Gen OPS, please read this manual thoroughly.

1. Statements

Size and weight vary by configuration and manufacturing process, please refer to the actual product.

The product images are for illustrative purposes only and may slightly differ in appearance, color, size, etc. from the actual product.

The description, illustrations, etc. in this document may be subject to change in accordance with the latest product specification and performance.

Should the above-mentioned change in the document become necessary, the document may be updated without written notice.

2. Safety Instructions

- (1) Please carefully read the User Manual before using the product.
- (2) Before inserting or removing the OPS from a display, completely disconnect the display from power.
 - **DO NOT hot-plug the OPS, doing so could result in damages or personal injury.**
- (3) Before connecting or disconnecting any signal cables, make sure that all the power cords are unplugged in advance.
- (4) To avoid damages caused by frequent start up and shutdown, please wait for at least 30seconds before restarting the product.
- (5) All the operations such as removal or installation shall be implemented on the electrostatic discharge (ESD) worktable, because some precision components are sensitive to electrostatic discharge.

- (6) If there is no ESD worktable, please take the following measures to minimize possible damages from electrostatic discharge:
- Wear an anti-static wrist strap during operation.
 - Always touch the metal chassis of frame of the corresponding products before removal or installation of any components.
- (7) The normal working temperature for the product is 0°C~40°C, and the normal working humidity is 10%~90%RH.
- (8) Assure good cooling and ventilation.
- (9) Dispose of or recycle the obsolete batteries properly. Keep children away from the batteries and do not throw the batteries into fire to avoid injuries.

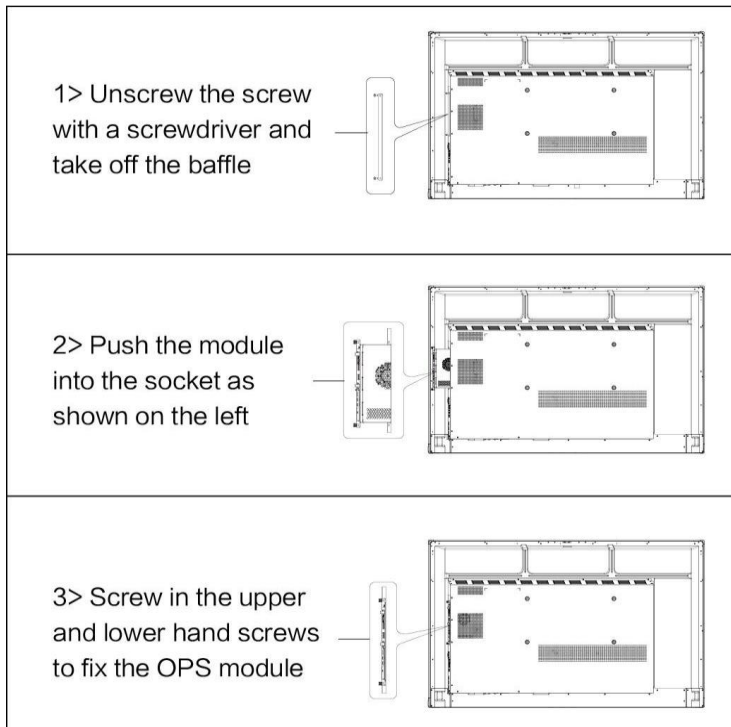
- (10) There are ventilation openings on the back cover, do not spray water to it or use damp cloth for cleaning.
- (11) Please call professional personnel for maintenance service.
- (12) Risk of fire or explosion or defeat the safeguard of equipment if the battery is replaced by an incorrect type. Replace only with the same or equivalent type.
- (13) Disposal of a battery into fire or a hot oven, or mechanically crushing or cutting of a battery, that can result in an explosion.
- (14) High or low extreme temperatures or low air pressure at high altitude that the battery can be subjected to during use, storage or transportation.
- (15) Leaving the battery in an extremely high temperature and/or low air pressure surrounding environment that can result in an explosion or the leakage of flammable liquid or gas.

3. Installation Procedure

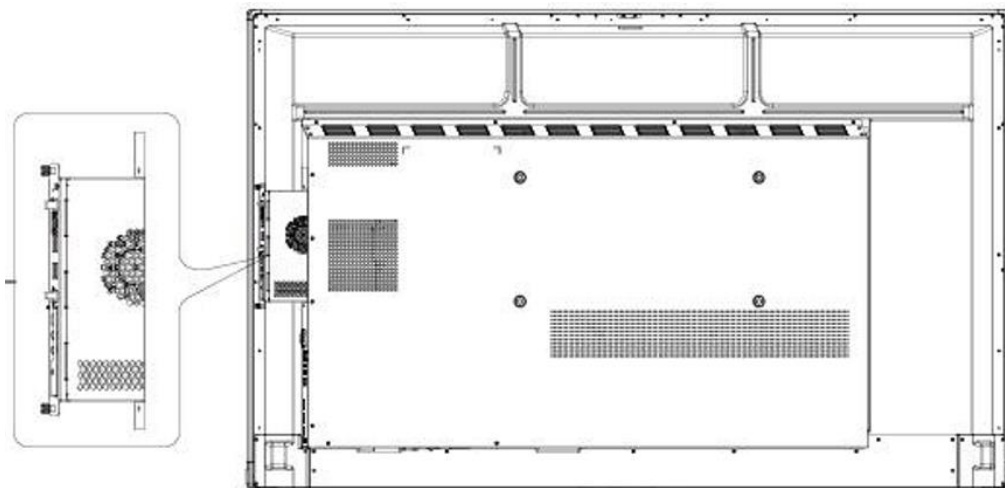
This product is required to be used with an interactive intelligent panel. Because the product has two different configurations: with antenna or without antenna. Please refer to the actual product.

When installing a module with an antenna, please fold the antenna to avoid damage to the antenna during installation.

The installation diagram is as follows:



Note: the OPS should be installed with the fan-side facing the back panel, as pictured below.


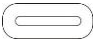





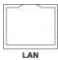
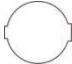



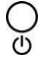
Note: DO NOT hot-plug the OPS, doing so could result in damages or personal injury. Always disconnect the display from power prior to installing or removing the OPS.

k

4. Terminal Interface

Due to the differences in the product of different models, the actual terminal type and quantity are subject to the actual product.

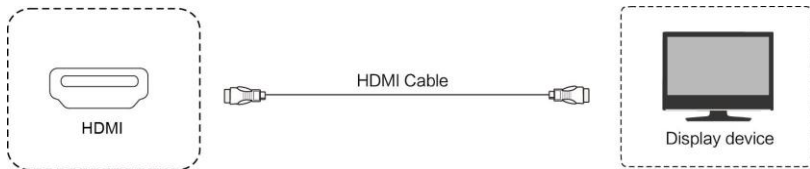
Number	Items	Function description
1		USB interface to connect USB devices, such as mobile hard disk, U disk, USB keyboard and mouse, USB drives, etc. (USB 3.0) Rating: 5V DC 900mA)
2		Connect device with USB Type-C port (support USB only) (USB Type-C Rating: 5V DC 1A)
3		Connect to device with HDMI input function (this port is not for charging or providing power to equipment)


4		Connect to device with microphone voice collection (used for recording function)
5		Connect to device with headphone input function
6		Network interface (This network port is only used by the computer system to access the Internet)
7		Wi-Fi antenna interface
8		Kensington Lock
9		Computer hard drive work indicator light
10		Computer power work indicator light
11		Power Button

5. Connection and Setting

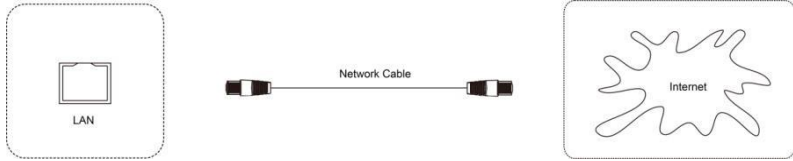
⚠ For the safety of you and the machine, please do not connect any power plug before connection.

5.1. HDMI OUT



- 1) Use HDMI cable to connect audio and video equipment with HDMI input.
- 2) After cable connection, plug in power cord, and switch power on.
- 3) Press  to turn equipment on.
- 4) After entering the windows system, press win+P to set the display mode of the external HDMI (copy, expand)

5.2. LAN Connection



5.3. USB

